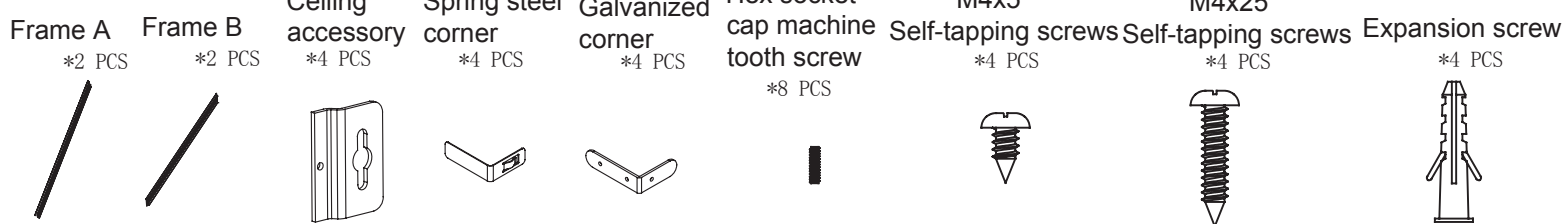


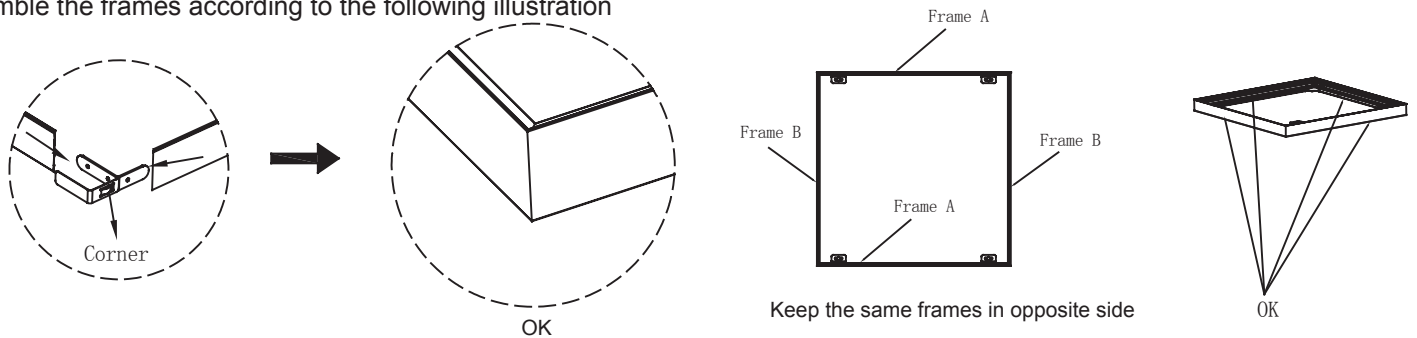
# Illustration for LED Panel Light Installation

## ----Ceiling Frame

### 1.Components

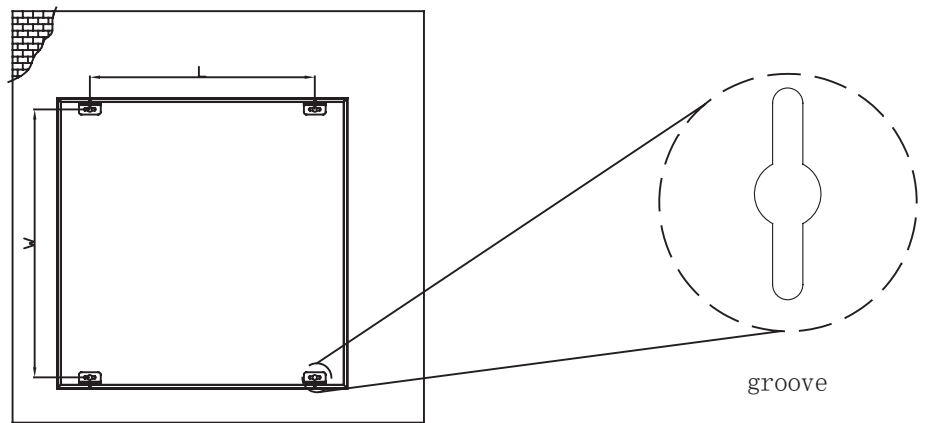


### 2.Assemble the frames according to the following illustration

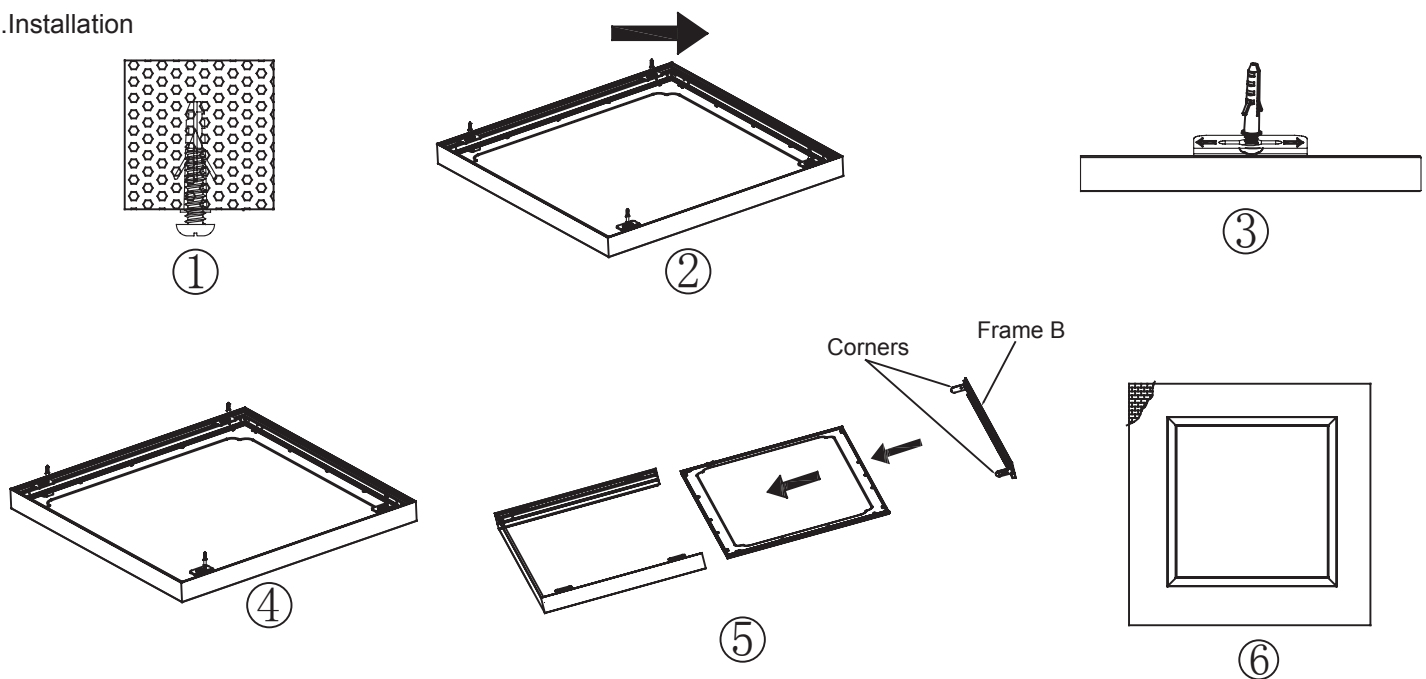


### 3.Mark position details as below

Item No.	L*W(mm)
MSTC-05411921	1065*254
MSTC-05411922	465*554



### 4.Installation



- ① Drill 4 holes at marking position with expansion screws and self-tapping screws(not screw too tight).
- ② Install the assembled frame on the roof.
- ③ Move and fix the ceiling frame (left to right, or right to left) through groove.
- ④ Tighten M4x25 self-tapping screws.
- ⑤ Open the frame B on one side, insert the panel into the frame, then seal the frame.
- ⑥ Installation finished.